

Cerberus™ PRO/ Sinteso™

Alarm indicators

FDAI91, FDAI92, FDAI93



Alarm indicators for optical repeat signals for automatic fire detectors

- Alarm indicators FDAI91 / FDAI92
 - Modern, flat design
 - Screwless connection terminals
- Alarm indicator FDAI93
 - Simple plug-in assembly with expanding-spring fastening

Properties

Features

- Enable the rapid identification of alarm-transmitting detectors which are not immediately visible or are difficult to access
- Contain a light element with one or two LEDs

Eco-friendly

- Environmentally friendly processing
- Reusable materials
- Electronic parts and synthetic materials can be easily separated

Use

Alarm indicators FDAI91, FDAI92

- Alarm indicator is mounted on a door frame or wall.

Alarm indicator FDAI93

- Alarm indicator is mounted in a door frame, switchboard, false ceiling or special housing.

Accessories for FDAI92

Additional frame AI330



- For surface-mounted cable entry or duct entries
- To increase the loop space
- As an adapter for sockets of different origins

Accessories for FDAI93

Indicator housing DJZ1193



- For mounting in wet rooms
- Includes a hole for installing alarm indicator FDAI93

Housing DCA1191



- For mounting in wet rooms
- Installation of a maximum of four alarm indicators FDAI93
- Holes with a diameter of 22.5 mm must be drilled by the customer so the alarm indicators can be mounted

Functions

LEDs light up as soon as the relevant fire detector triggers an alarm.

Type Overview

Type	Designation	Order number	Weight [kg]
FDAI91	Alarm indicator, door frame	S54370-F9-A1	0.020
FDAI92	Alarm indicator, wall version	S54370-F3-A1	0.050

Accessories

AI330	Adapter frame for FDAI92	BPZ:3169430001	0.018
-------	--------------------------	----------------	-------

Type	Designation	Order number	Weight [kg]
FDAI93	Alarm indicator incl. insulating cap, built-in version	S54370-F5-A1	0.010

Accessories

DCA1191	Housing with cover	BPZ:4588560001	0.284
DJZ1193	Indicator housing incl. seal	BPZ:5302950001	0.115
–	Washer	BPZ:2473130001	0.001
–	Insulating cap	BPZ:3048160001	0.005

Product documentation

Document ID	Title
008164	Equipment overview Sinteso™ Detector system FD20
008331	List of compatibility (for 'Sinteso™' product line)
A6V10229261	List of compatibility (for 'Cerberus™ PRO' product line)
A6V10257736	Installation Alarm indicators, adapter frame, surface-mounted housing, indicator housing incl. washer FDAI91, FDAI92, FDAI93, AI330, DCA1191, DJZ1193

Related documents such as the environmental declarations, CE declarations, etc., can be downloaded from the following Internet address:

<https://siemens.com/bt/download>

Mounting

Mounting of FDAI91, FDAI92

Mount the alarm indicator with two screws.

- FDAI91: directly on the door frame
- FDAI92: on the wall

Mounting of FDAI93

- Installation in door frames, switchboards, false ceilings
 - Hole with a diameter of 22.5 mm must be drilled by the customer
 - For safety reasons, the socket must be provided with an insulating cap
- Installation in a housing for mounting in wet rooms
 - Hole with a diameter of 22.5 mm must be drilled by the customer for housing DCA1191
 - For safety reasons, the socket must be provided with an insulating cap

Disposal



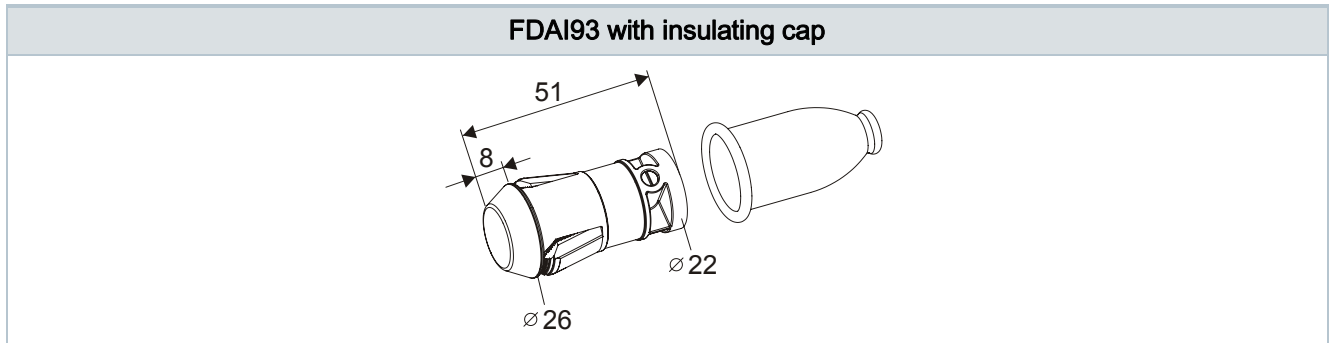
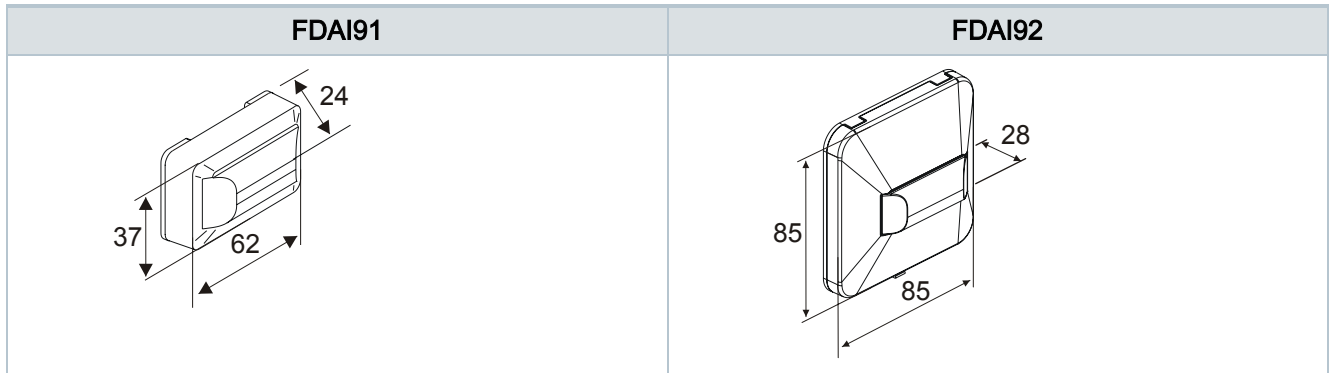
The device is considered an electronic device for disposal in accordance with the European Guidelines and may not be disposed of as domestic garbage.

- Dispose of the device through channels provided for this purpose.
- Comply with all local and currently applicable laws and regulations.

Technical data

	FDAI91 / FDAI92	FDAI93
Operating voltage	DC 5...8 V	DC 6...8 V
Operating current (quiescent)	Max. 35 mA	Max. 35 mA
Connection terminals	Max. 1.5 mm ²	Max. 1.5 mm ²
Operating temperature	-25...+80 °C	-25...+80 °C
Storage temperature	-25...+80 °C	-25...+80 °C
Air humidity	≤95 % rel.	≤95 % rel.
Color	~RAL 9010, pure white	Transparent
• Housing DCA1191	–	~RAL 9010, pure white
• Housing DJZ1193	–	~RAL 9010, pure white
Protection category (EN 60529)	IP40	–
• Housing DCA1191	–	IP56
• Housing DJZ1193	–	IP65
Approvals		
• DNV GL (marine)	MEDB00003UU	–
System compatibility	FD20, FD720	

Dimensional drawings



09 CE	FDAI91	Siemens Schweiz AG; Theilerstrasse 1a CH-6300 Zug Technical data: see doc. A6V10257736
FDAI91 - Alarm indicator for use in fire detection and fire alarm systems installed in buildings.		
2014/30/EU (EMC): EN 50130-4 / EN 61000-6-3 ; 2011/65/EU (RoHS): EN50581		
The declared conformity can be seen in the EU Declaration of Conformity (DoC), which is obtainable via the Customer Support Center: Tel. +49 89 9221-8000 or https://siemens.com/bt/download		
DoC No.: CED-FDAI91		
09 CE	FDAI92	Siemens Schweiz AG; Theilerstrasse 1a CH-6300 Zug Technical data: see doc. A6V10257736
FDAI92 - Alarm indicator for use in fire detection and fire alarm systems installed in buildings.		
2014/30/EU (EMC): EN 50130-4 / EN 61000-6-3 ; 2011/65/EU (RoHS): EN50581		
The declared conformity can be seen in the EU Declaration of Conformity (DoC), which is obtainable via the Customer Support Center: Tel. +49 89 9221-8000 or https://siemens.com/bt/download		
DoC No.: CED-FDAI92		
09 CE	FDAI93	Siemens Schweiz AG; Theilerstrasse 1a CH-6300 Zug Technical data: see doc. A6V10257736
FDAI93 - Alarm indicator for use in fire detection and fire alarm systems installed in buildings.		
2014/30/EU (EMC): EN 50130-4 / EN 61000-6-3 ; 2011/65/EU (RoHS): EN 50581		
The declared conformity can be seen in the EU Declaration of Conformity (DoC), which is obtainable via the Customer Support Center: Tel. +49 89 9221-8000 or https://siemens.com/bt/download		
DoC No.: CED-FDAI93		

Issued by
Siemens Switzerland Ltd
Building Technologies Division
International Headquarters
Theilerstrasse 1a
CH-6300 Zug
Tel. +41 58 724 2424
www.siemens.com/buildingtechnologies

© Siemens Switzerland Ltd, 2015
Technical specifications and availability subject to change without notice.